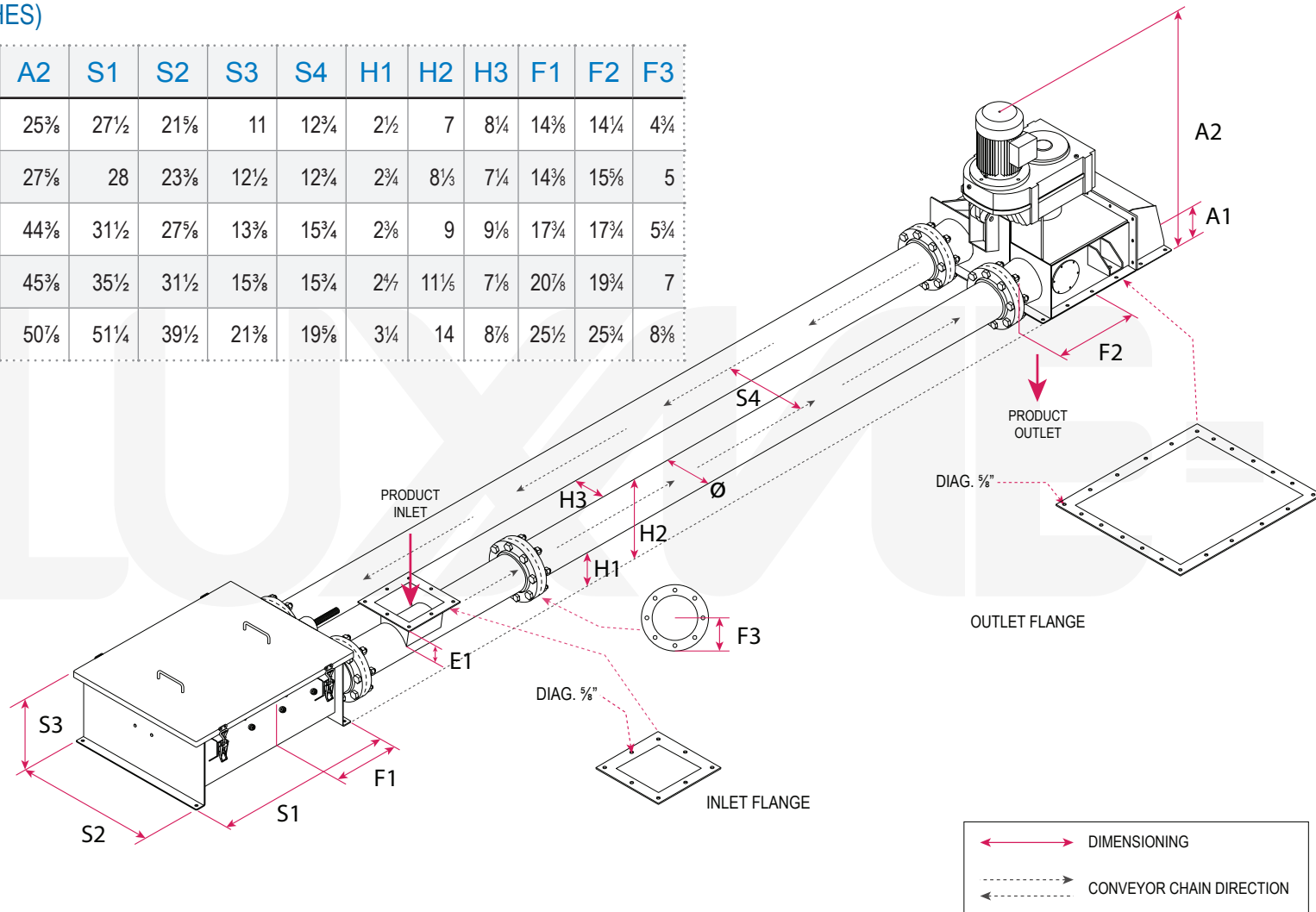


TUBULAR CHAIN CONVEYOR - HORIZONTAL ARRANGEMENT

DIMENSIONS (INCHES)

| TYPE | Ø | A1 | A2 | S1 | S2 | S3 | S4 | H1 | H2 | H3 | F1 | F2 | F3 |
|------|-----|----|-----|-----|-----|-----|-----|----|-----|----|-----|-----|----|
| 115 | 4½ | 4¾ | 25¾ | 27½ | 21¾ | 11 | 12¾ | 2½ | 7 | 8¼ | 14¾ | 14¼ | 4¾ |
| 140 | 5½ | 5⅝ | 27¾ | 28 | 23¾ | 12½ | 12¾ | 2¾ | 8⅓ | 7¼ | 14¾ | 15¾ | 5 |
| 160 | 6⅝ | 5⅝ | 44¾ | 31½ | 27¾ | 13¾ | 15¾ | 2¾ | 9 | 9½ | 17¾ | 17¾ | 5¾ |
| 200 | 8¾ | 6⅝ | 45¾ | 35½ | 31½ | 15¾ | 15¾ | 2¾ | 11½ | 7½ | 20¾ | 19¾ | 7 |
| 270 | 10¾ | 8⅝ | 50¾ | 51¼ | 39½ | 21¾ | 19¾ | 3¾ | 14 | 8¾ | 25½ | 25¼ | 8¾ |



*The Inlet/Outlet Flange can be adapted to your existing system.

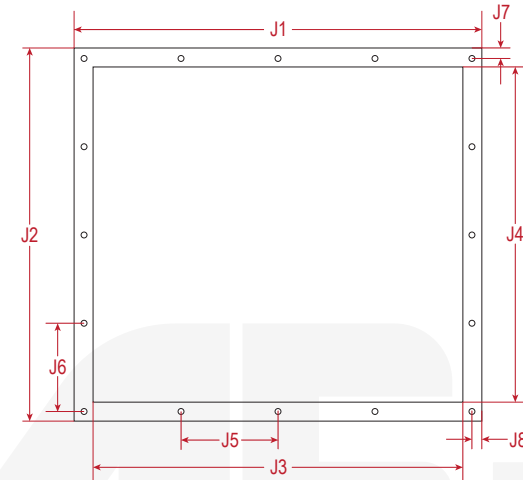


TUBULAR CHAIN CONVEYOR - HORIZONTAL ARRANGEMENT

OUTLET DIMENSIONS (INCHES)

| TYPE | J1 | J2 | J3 | J4 | J5 | J6 | J7 | J8 |
|------|--------------------------------|--------------------------------|--------------------------------|--------------------------------|-------------------------------|-------------------------------|-----------------------------|-----------------------------|
| 115 | 22 ³ / ₈ | 22 ³ / ₈ | 18 ³ / ₄ | 18 ³ / ₄ | 5 ¹ / ₄ | 5 ¹ / ₄ | ⁴ / ₈ | ⁴ / ₈ |
| 140 | 23 ³ / ₈ | 22 ³ / ₈ | 20 | 20 | 5 ¹ / ₂ | 5 ¹ / ₄ | ⁴ / ₈ | ⁴ / ₈ |
| 160 | 27 ¹ / ₂ | 27 ¹ / ₂ | 23 ³ / ₈ | 23 ³ / ₈ | 5 ³ / ₈ | 5 ³ / ₈ | ⁴ / ₈ | ⁴ / ₈ |
| 200 | 29 | 29 | 25 | 25 | 5 ¹ / ₂ | 5 ¹ / ₂ | ⁴ / ₈ | ⁴ / ₈ |
| 270 | 39 ³ / ₈ | 39 ³ / ₈ | 35 ¹ / ₈ | 35 ¹ / ₈ | 4 ³ / ₄ | 4 ³ / ₄ | ⁴ / ₈ | ⁴ / ₈ |

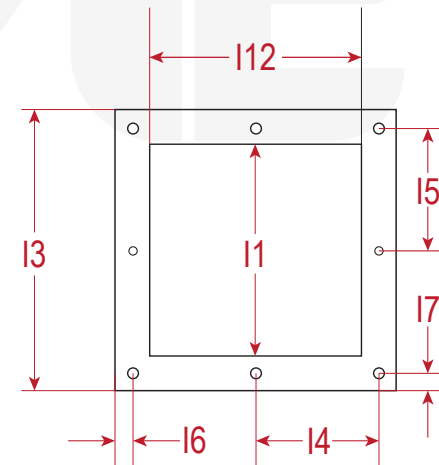
OUTLET



INLET DIMENSIONS (INCHES)

| TYPE | I1 | I2 | I3 | I4 | I5 | I6 | I7 | E1 |
|------|--------------------------------|--------------------------------|----|-------------------------------|-------------------------------|-----------------------------|-----------------------------|-------------------------------|
| 115 | 5 ⁵ / ₈ | 5 ⁵ / ₈ | 10 | 4 ¹ / ₄ | 4 ¹ / ₄ | ³ / ₄ | ³ / ₄ | 5 ³ / ₄ |
| 140 | 7 | 7 | 10 | 4 ¹ / ₄ | 4 ¹ / ₄ | ³ / ₄ | ³ / ₄ | 5 |
| 160 | 8 | 8 | 12 | 5 ¹ / ₄ | 5 ¹ / ₄ | ³ / ₄ | ³ / ₄ | 6 |
| 200 | 10 | 10 | 14 | 6 ¹ / ₄ | 6 ¹ / ₄ | ³ / ₄ | ³ / ₄ | 8 |
| 270 | 13 ³ / ₄ | 13 ³ / ₄ | 18 | 5 ¹ / ₂ | 5 ¹ / ₂ | ³ / ₄ | ³ / ₄ | 9 |

INLET



*The Inlet/Outlet Flange can be adapted to your existing system.