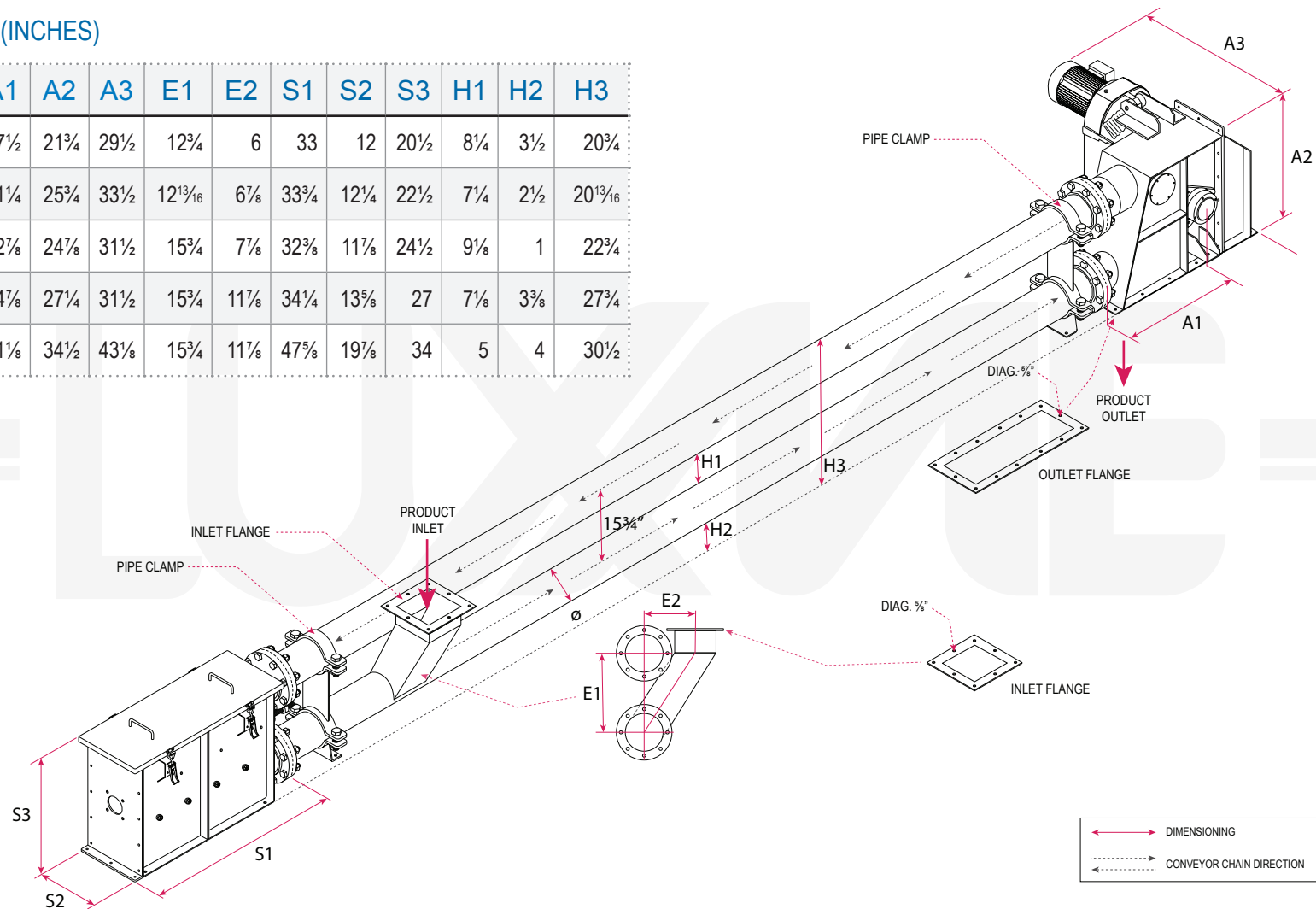


TUBULAR CHAIN CONVEYOR - UPRIGHT ARRANGEMENT

DIMENSIONS (INCHES)

TYPE	Ø	A1	A2	A3	E1	E2	S1	S2	S3	H1	H2	H3
115	4½	17½	21¾	29½	12¾	6	33	12	20½	8¼	3½	20¾
140	5½	21¼	25¾	33½	12 ¹³ / ₁₆	6 ⁷ / ₈	33¾	12¼	22½	7¼	2½	20 ¹³ / ₁₆
160	6 ⁵ / ₈	22 ⁷ / ₈	24 ⁷ / ₈	31½	15¾	7 ⁷ / ₈	32 ³ / ₈	11 ⁷ / ₈	24½	9 ⁷ / ₈	1	22¾
200	8 ⁵ / ₈	24 ⁷ / ₈	27¼	31½	15¾	11 ⁷ / ₈	34¼	13 ³ / ₈	27	7 ⁷ / ₈	3 ³ / ₈	27¾
270	10¾	31 ⁷ / ₈	34½	43 ³ / ₈	15¾	11 ⁷ / ₈	47 ³ / ₈	19 ⁷ / ₈	34	5	4	30½



*The Inlet/Outlet Flange can be adapted to your existing system.

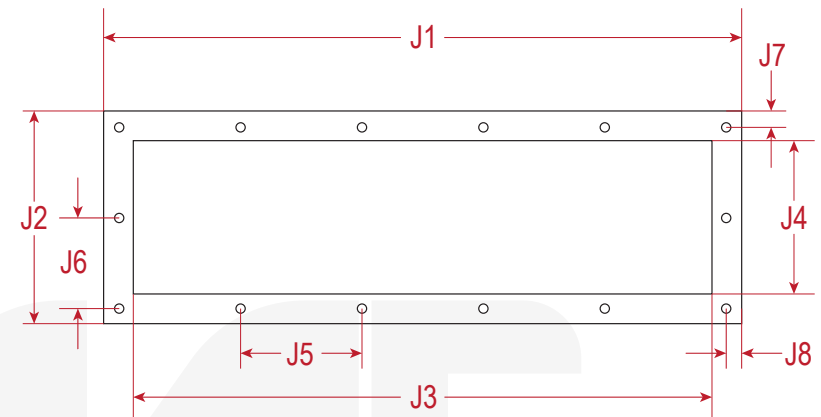


TUBULAR CHAIN CONVEYOR - UPRIGHT ARRANGEMENT

OUTLET DIMENSIONS (INCHES)

TYPE	J1	J2	J3	J4	J5	J6	J7	J8
115	29½	10	26¾	7	5⅞	4½	½	½
140	31	10⅝	28	7⅞	6	4½	½	½
160	33¼	11⅝	29¼	7⅞	6⅞	5⅝	½	½
200	35½	18⅝	32½	15⅝	5¼	5⅞	½	½
270	37	20⅝	33⅝	16⅝	6	6⅞	½	½

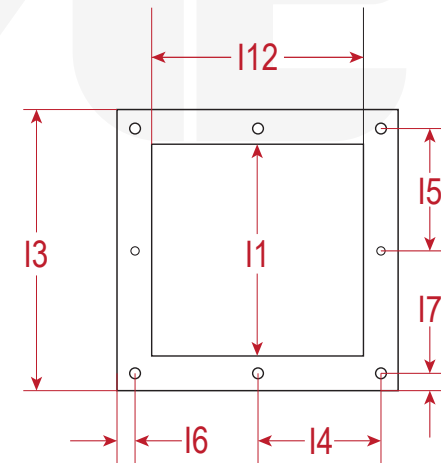
OUTLET



INLET DIMENSIONS (INCHES)

TYPE	I1	I2	I3	I4	I5	I6	I7
115	6	6	10	4¼	4¼	¾	¾
140	7	7	11	4¾	4¾	¾	¾
160	8	8	12	5¼	5¼	¾	¾
200	10	10	14	6¼	6¼	¾	¾
270	12	12	16	7¼	7¼	¾	¾

INLET



*The Inlet/Outlet Flange can be adapted to your existing system.