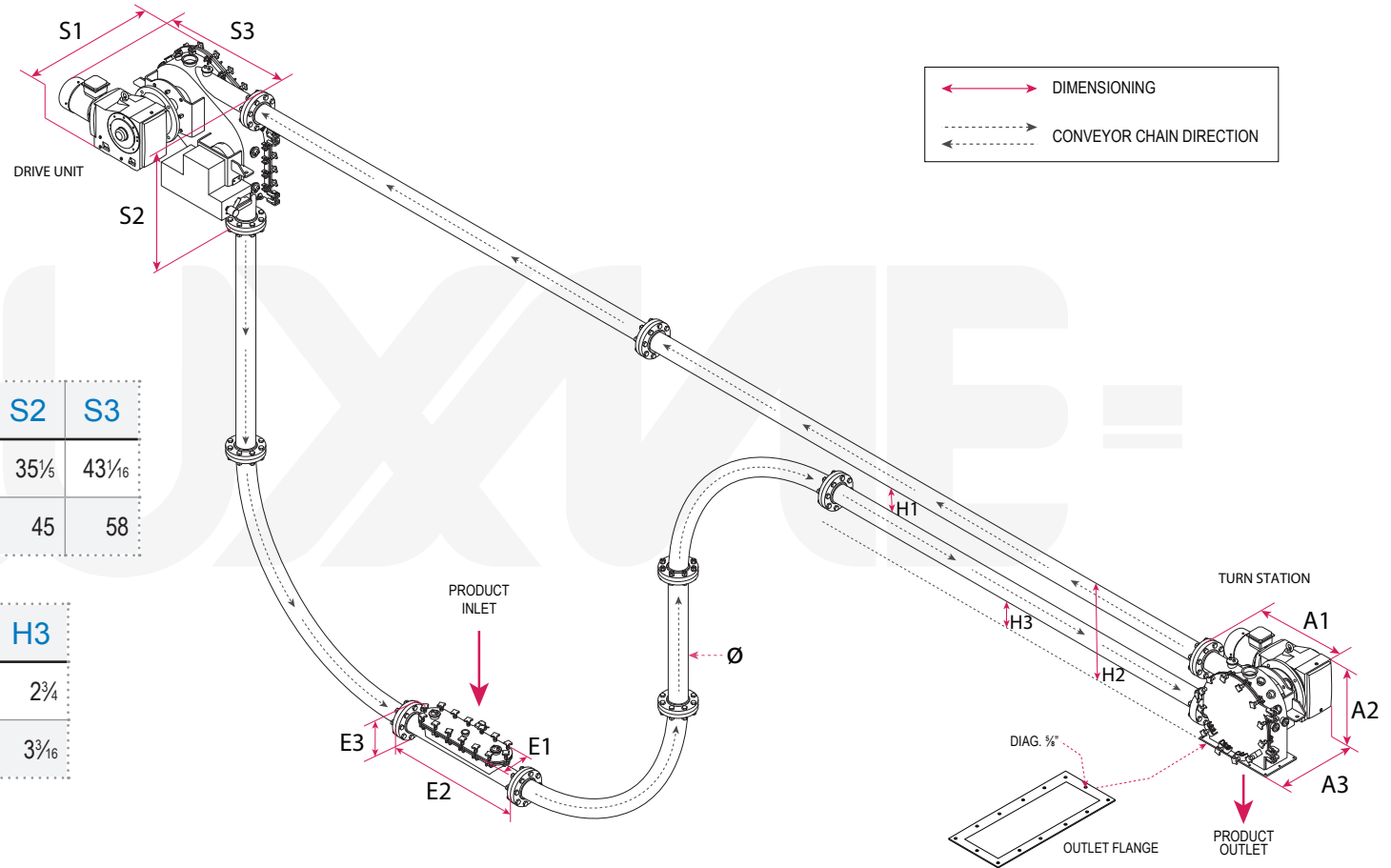


TUBULAR CHAIN CONVEYOR - "P" SHAPED ARRANGEMENT



DIMENSIONS (INCHES)

TYPE	Ø	A1	A2	A3	S1	S2	S3
115	4½	33 ³ / ₁₆	21 ¹ / ₁₆	27	28	35 ¹ / ₁₆	43 ¹ / ₁₆
200	8 ⁵ / ₁₆	34 ³ / ₈	28 ³ / ₄	31 ¹ / ₁₆	35	45	58

TYPE	E1	E2	E3	H1	H2	H3
115	9½	46	9½	8 ³ / ₁₀	20	2 ³ / ₄
200	13½	34	14 ¹¹ / ₁₆	7¼	27½	3 ³ / ₁₆

*The Inlet/Outlet Flange can be adapted to your existing system.

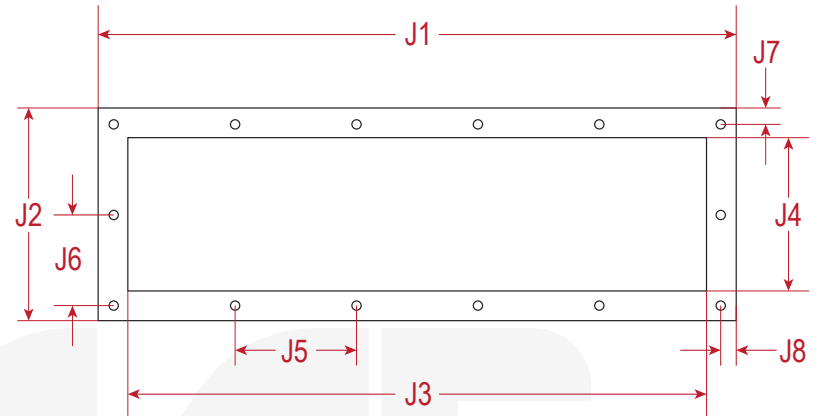


TUBULAR CHAIN CONVEYOR - "P" SHAPED ARRANGEMENT

OUTLET DIMENSIONS (INCHES)

TYPE	J1	J2	J3	J4	J5	J6	J7	J8
115	21	10	17 ³ / ₈	6 ¹ / ₄	5	4 ¹ / ₂	1/2	1/2
200	28 ¹ / ₂	14 ³ / ₈	32 ¹ / ₂	15 ⁵ / ₈	4 ⁷ / ₈	4 ¹ / ₂	1/2	1/2

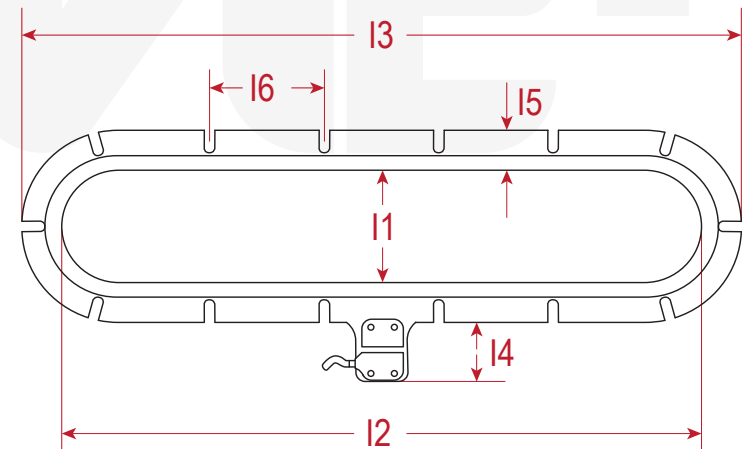
OUTLET



INLET DIMENSIONS (INCHES)

TYPE	I1	I2	I3	I4	I5	I6
115	4 ¹ / ₄	23 ³ / ₄	26 ³ / ₄	2 ¹ / ₄	1 ¹ / ₂	4 ¹ / ₄
200	8 ⁹ / ₁₆	18 ⁵ / ₁₆	21 ⁵ / ₁₆	2 ¹ / ₄	1 ¹ / ₂	5

INLET



*The Inlet/Outlet Flange can be adapted to your existing system.